


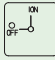

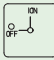


Main/Emergency-Off Switches

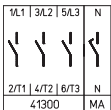
- Base mounting switches with four hole mounting
- Door interlock
- 3 up to 8 pole
- 160 A up to 315 A
- IP55



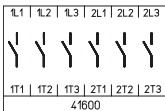
Switching programme	Rated data (IEC 60947)			Mounting dimension (base/front) (mm)	Padlock device N-handle yellow/red	Padlock device M-handle yellow/red	Padlock device H-handle yellow/red
	Operat. current I_e	Operational power (at 380–440 V)			  IP55	  IP55	  IP55
	AC-21A (A)	AC-23A (kW)	AC-3 (kW)		Order code number	Order code number	Order code number
41300 – 3 pole – without auxiliary contacts	160	75	45	68 × 68 / 68 × 68	K616-41300-034N4	K616-41300-034M4	K616-41300-034H4
	315	132	55	104 × 104 / 104 × 104	–	–	K830-41300-034H4



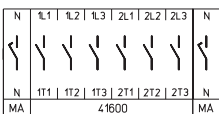
41400 – 4 pole – without auxiliary contacts – neutral contact early make/late break	160	75	45	68 × 68 / 68 × 68	K616-41400-034N4	K616-41400-034M4	K616-41400-034H4
	315	132	55	104 × 104 / 104 × 104	–	–	K830-41400-034H4



41600 – 6 pole – without auxiliary contacts	160	75	45	68 × 68 / 68 × 68	K616-41600-034N4	K616-41600-034M4	K616-41600-034H4
	315	132	55	104 × 104 / 104 × 104	–	–	K830-41600-034H4



41800 – 8 pole – without auxiliary contacts – 2 neutral contacts early make/late break	160	75	45	68 × 68 / 68 × 68	K616-41800-034N4	K616-41800-034M4	K616-41800-034H4
	315	132	55	104 × 104 / 104 × 104	–	–	K830-41800-034H4

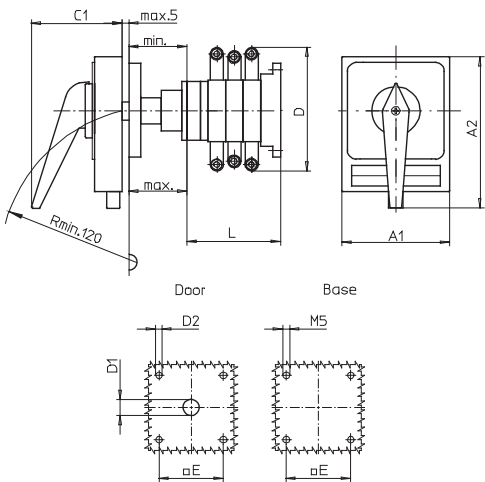
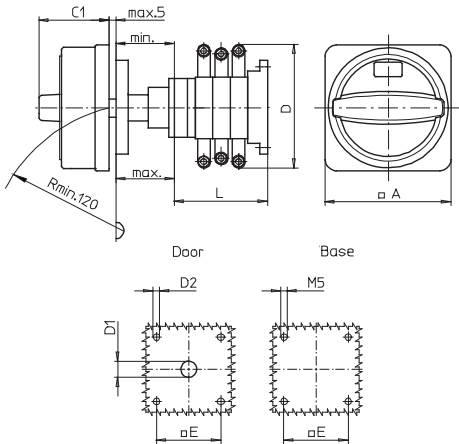


Disconnect Switches

Main/Emergency-Off Switches **Base mounting** Four hole mounting with door interlock

Dimensions in mm:

Setup of order code number		
Type	Switching progr.	Mtg. form
K616	41300	034N4
Order code no.	K616-41300-034N4	



Type K616:

Mtg. form	Switching progr.	A	C1	D*	D1	D2	E	min	max	L
034M4	41300	88	50	150	15	5.5	68	48	60	104
034M4	41400	88	50	150	15	5.5	68	48	60	104
034M4	41600	88	50	150	15	5.5	68	48	60	136
034M4	41800	88	50	150	15	5.5	68	48	60	168
034N4	41300	88	45	150	15	5.5	68	48	60	104
034N4	41400	88	45	150	15	5.5	68	48	60	104
034N4	41600	88	45	150	15	5.5	68	48	60	136
034N4	41800	88	45	150	15	5.5	68	48	60	168

Type K616:

Mtg. form	Switching progr.	A1	A2	C1	D*	D1	D2	E	min	max	L
034H4	41300	98	142	83	150	15	5.5	68	48	60	104
034H4	41400	98	142	83	150	15	5.5	68	48	60	104
034H4	41600	98	142	83	150	15	5.5	68	48	60	136
034H4	41800	98	142	83	150	15	5.5	68	48	60	168

Type K830:

Mtg. form	Switching progr.	A1	A2	C1	D*	D1	D2	E	min	max	L
034H4	41300	130	176	93	210	20	5.5	104	75	102	125
034H4	41400	130	176	93	210	20	5.5	104	75	102	125
034H4	41600	130	176	93	210	20	5.5	104	75	102	161
034H4	41800	130	176	93	210	20	5.5	104	75	102	197

* terminal lugs included

Further switching programmes and corresponding dimensions for types K on request.